

Mounting of the Holder Arm for Treatment Tube

After assembly, the device should appear as indicated in Figure 1 below.

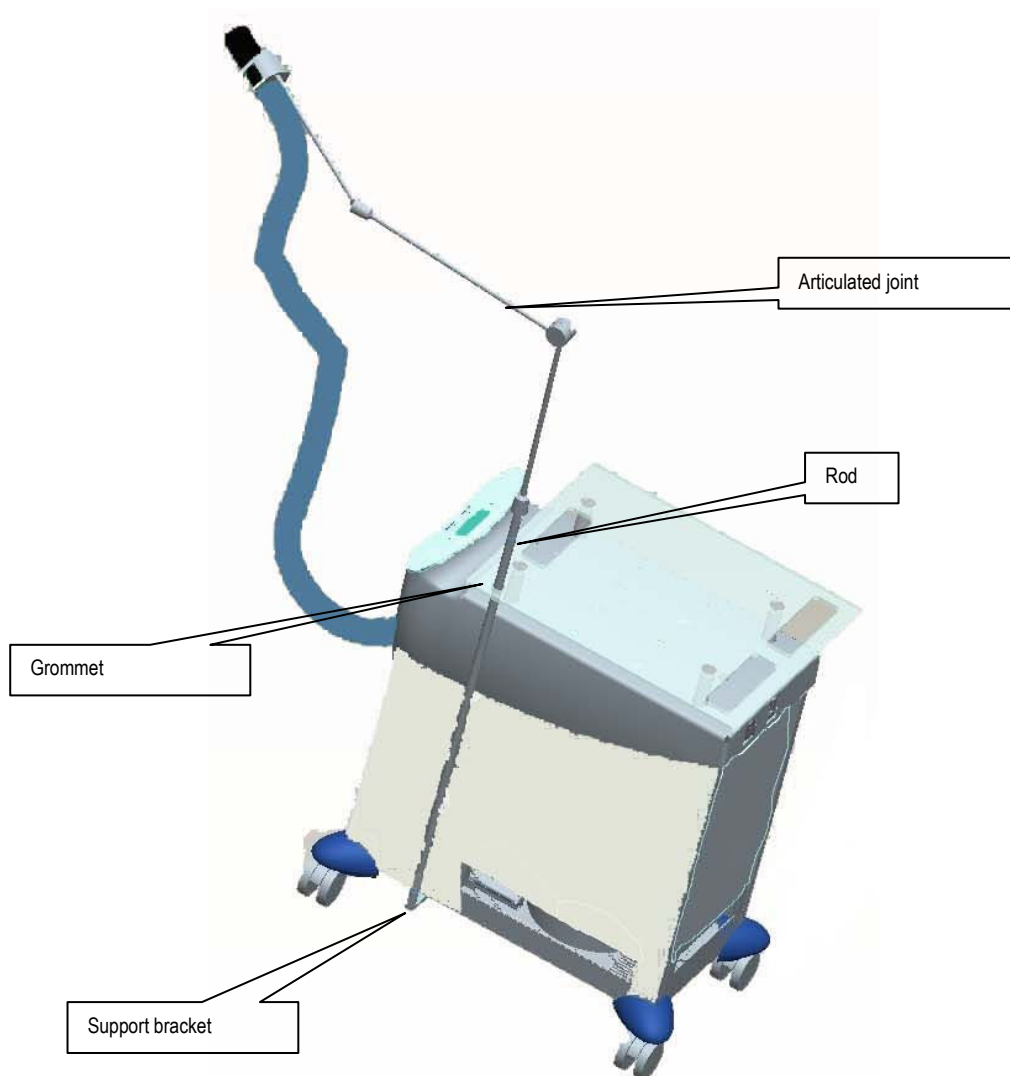


Figure 1

Assembly Instructions:

1. Necessary parts:



Figure 2

- 1 Support bracket
- 2 Rod
- 3 Hose holder
- 4 Articulated joint
- 5 Hook
- 6 2 screws M5x25 and an allen key

2. Before starting, please assemble the glass plate onto the Cryo V6.0 as indicated in the User Manual Cryo V6.0 (Chapter 2 "Assembly Instructions")
3. Then insert the 2 grommets as indicated below (see Figure 3).

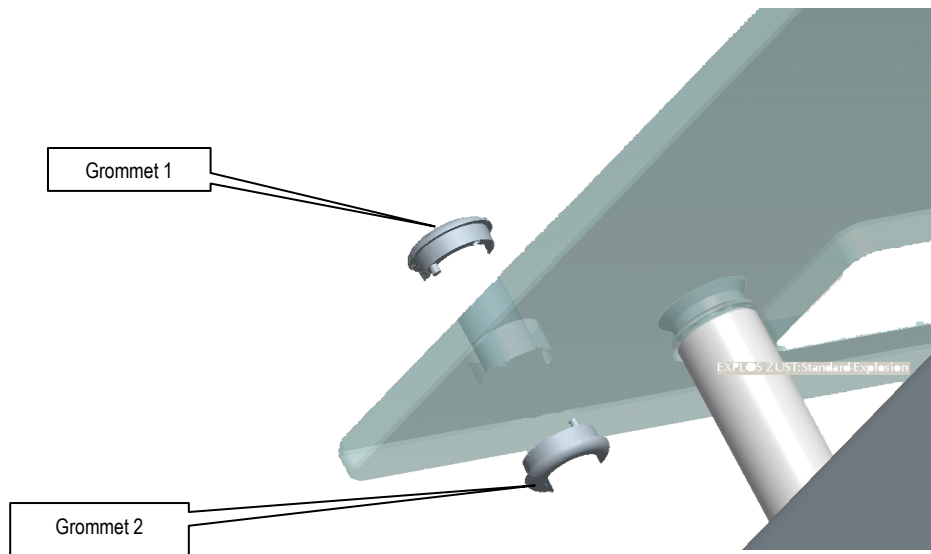


Figure 3

4. Next, use the allen key and screw the support bracket to the bottom of the Cryo V6.0 (threads are already inserted into the device bottom).

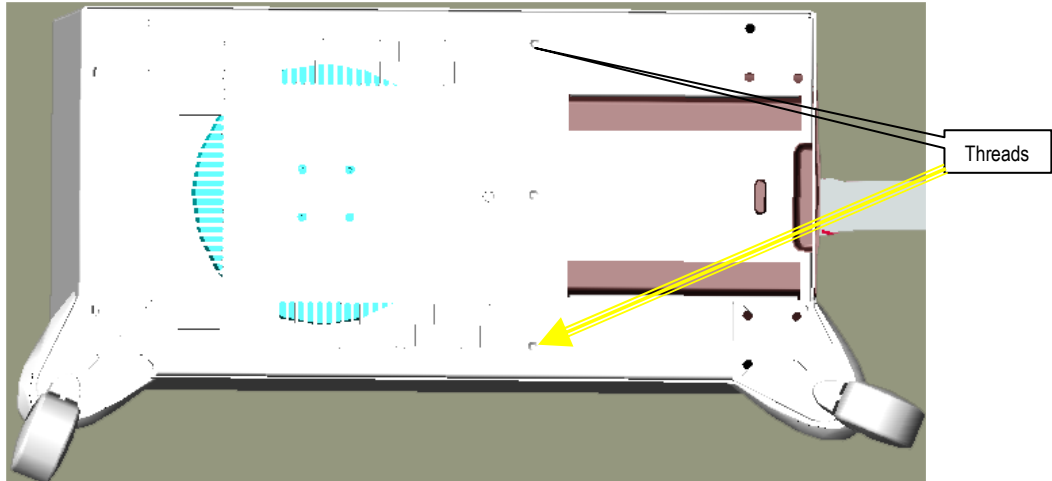


Figure 4

5. Now, push the rod through the hole in the glass plate (Figure 5) and snap it into the snap-on connection on the support bracket (Figure 6).

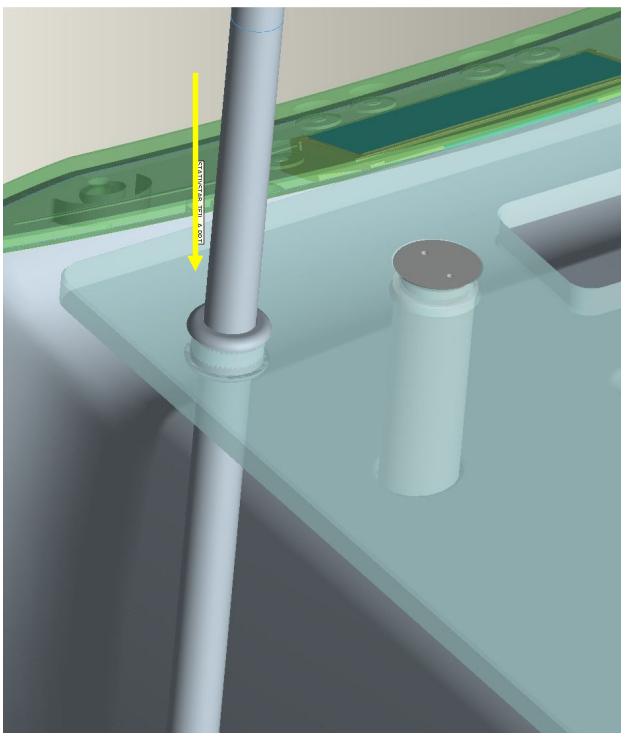


Figure 5

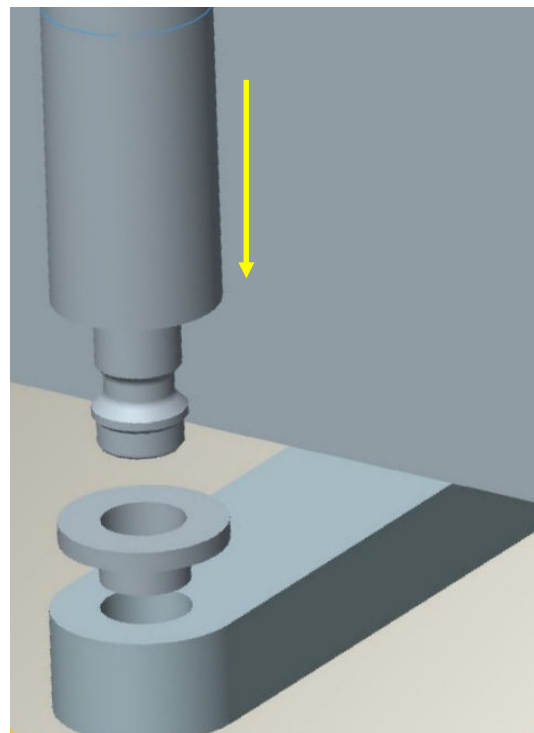


Figure 6

6. Screw the articulated joint onto the rod.
7. Then screw the hose holder onto the articulated joint.
8. Hang the hook onto the articulated joint.



Figure 7